



650P290BENC

Swing Gate Openers Maximum Gate Leaf Length 5 Metres



The “**650P290BENC**” 12V dc electromechanical Swing Gate Drive for automating ‘open style’ swing gates for residential and light industrial use for up to 5 metres in length and 260 kgs.

Motivation for automating your gates

Security

Your property’s security is enhanced by the self-locking design of the TAU 650P290BENC Gate Openers, minimising the possibility of an intruder opening the gates manually, even in the event of a power failure. An additional locking device is recommended for gate leaves over 1.8 metres in length.

Protection

All TAU Controllers have the ability to open one gate leaf for pedestrian access, in a two gate leaf system. This feature maximises the security of the premises by restricting full access.

Manual Operation

There is a manual release feature, protected by a Personal Key, for opening the gates in the event of a power failure.

The 12Vdc TAU 650P290BENC Motors’ Controller has a built-in battery charger and provision for a back-up battery, for operation during a power failure.

Aesthetic Appeal

The compactness of the TAU 650P290BENC Motor means they can be positioned at almost any level on the gate itself, enabling the gate to be a feature without operational parts being highly visible.

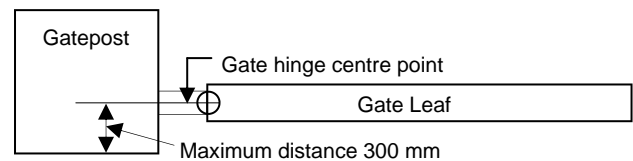
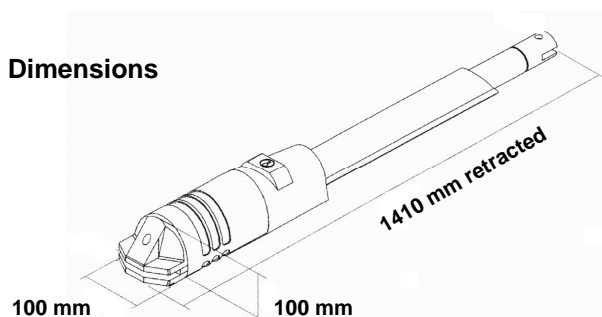
Performance requirements for your gates.

This is where the expectations for performance are matched against the capabilities of the TAU 650P290BENC Swing Gate Openers.

650P290BENC 12 Volts dc version for more intensive residential and light industrial use. In the event of a power failure, it is able to powered by a 12V dc Rechargeable Back-up Battery, which enables the gates to continue working for up to 10 operations in 24 hours before mains power is required to be reinstated.

Performance Required	650P290BENC
Gate Length	Up to 5 metres per leaf open style gate design
Gate Opening Time (approx.)	30 sec/90°
Usage per hour	Up to 30 times
System Power Requirement	Mains Power and Battery Back-up Operation
Weight of Gate	Up to 260 kgs per leaf @ 5 metres

Dimensions



The maximum distance from the rear of the gatepost to the gate hinge centre point can be no greater than 300 mm for 90° opening

GATE AUTOMATION CONTROL EQUIPMENT

Operational options for your automation system

How you want to be able to use your gates is an important aspect of the decision of which Automatic Swing Gate Opening System will suit you best. Key components of control for effective operation includes:-

- **Remote Control**

Each TAU 650P290BENC Automatic Gate Opening System is supplied with 2 TAU Remote Controls which can be programmed into the main system. Additional units can be ordered and programmed as required.

- **Keypad entry**

For those who require visitor entry, a weather durable PRESCO VR Series Keypad is available and can be positioned at a suitable height at the entrance way. The KC-2 Keypad controller offers up to 125 individual user codes.

- **Safety Photocells**

It is recommended that each TAU 650P290BENC Automatic Gate Opening System is installed with a set of safety Photocells that recognise an obstacle is across the gateway, preventing the gates closing until the obstacle is removed.

- **Safety features**

The TAU 750D747M Controller used with the TAU 650P290BENC 12Vdc Motors has an electronically controlled, anti-crush safety clutch.

- **Automatic realignment**

The TAU 750D747M Controllers include an Automatic Realignment feature, that ensures the first operation (Radio Remote or other opening/closing signal device) upon the power being restored, will realign the gates to the last state before the power was disconnected.

- **Minimal noise production**

The TAU 650P290BENC 12Vdc motors are fitted with an Encoder — a special detection system which moves the gate rapidly, then slows it down towards the end of its travel, in order to prevent noisy impacts and rebounds.

(This feature is used with the TAU 750D747M Controller only)

Accessories

Radio Remote Control



250K-SLIM
2 Button Remote



250T-4
4 Button Remote

Keypad Entry



VR43
Keypad



KC-2
Controller

Safety Photocells



900OPTIC
Range 20 metres



900FOTEC
Adjustable up to 180°

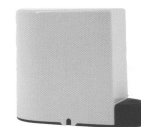
Control Devices

Plug-in Radio Receiver



1 & 2 Channel

Universal Radio Receiver



Single & Multi channel options to interface to existing Garage Door Openers etc.

Control Boards



750D747M
12V dc