

# DOOR OPENER BRINK

For internal doors up to 130 kg

## 10DOORBRINK

Single leaf swing door opener, powered opening, powered closing, wind stop. Max. leaf 130 kg and 1000 mm.



### Features:

- commercial use
- max. opening 95°
- for door panels up to 130 kg and 1000 mm
- built-in electronic control unit
- in or out swing
- single or double swing leaf installation

### Pros:

- intensive use
- ideal for offices, supermarkets, hospitals and public entrances
- can automate most swing doors, new or existing
- quick and easy installation
- react immediately to any obstacle
- wind stop: resists wind pressure
- high reliability and smooth operation



Compact and reliable operator



### Technical features

### BRINK

Power supply	115/230V AC (50 - 60 Hz)
Motor power supply	24V DC with encoder
Absorbed power	120 W
Opening speed	4—12 sec.
Closing speed	5—15 sec.
Duty cycle	100 %
Operating temperature	-20° C - + 50° C
Degree of protection	IP 44
Max. opening	95°
Max. gate leaf weight	130 kg



The above represented installation does not include safety devices such as safety edges. Their addition depends upon the risk assessment made on any installation in accordance with EN 12445-12453 standards.

**GATE DRIVE SOLUTIONS**  
The Driving Force Behind Your Gate

GATE DRIVE SOLUTIONS LTD.

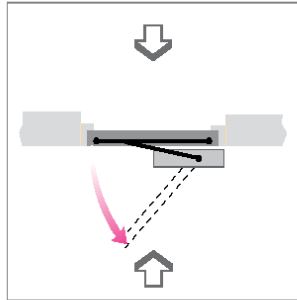
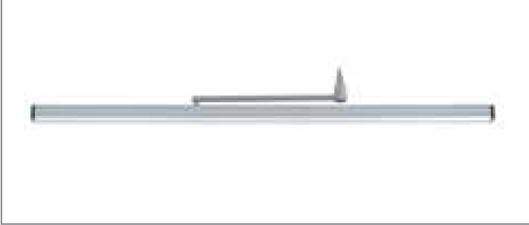
[www.gatedrivesolutions.nz](http://www.gatedrivesolutions.nz)

100% New Zealand owned and operated



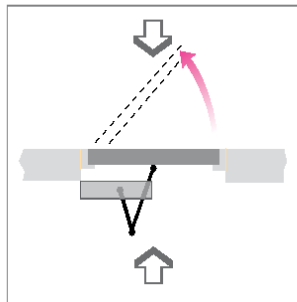
MADE IN ITALY

### S-10DOORBST Track (PULL operation)



Length of door (mm)	Max. weight (Kg)
700	130
750	124
800	118
850	113
900	108
950	104
1000	100

### S-10DOORBSS Scissor arm (PUSH operation)



Length of door (mm)	Max. weight (Kg)
800	92
850	89
900	85
950	83
1000	80



S-10DOORPROGT  
Programming keypad

**NEW**



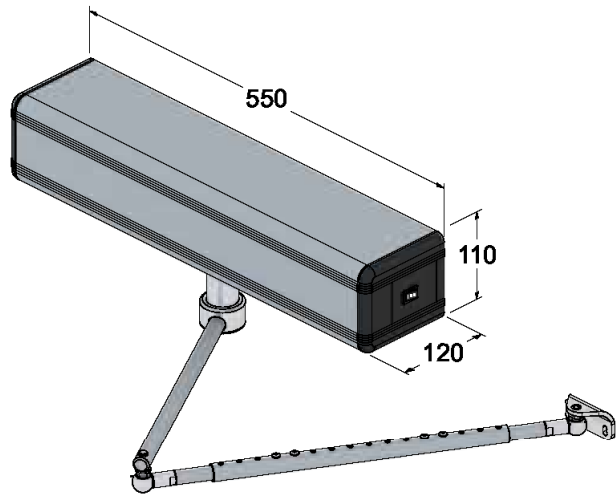
S-10DOORSELFB  
Mechanical program switch for BRINK



S-10DOORSELFBC  
Mechanical key switch for BRINK



S-10DOORKIT2BRK  
Aluminium cover for two BRINK openers, complete with cable for Master/Slave connection



Imported and marketed in New Zealand by GATE DRIVE SOLUTIONS LTD.

[www.gatedrivesolutions.co.nz](http://www.gatedrivesolutions.co.nz) Phone: 09 419 5483

The Information contained in this document is subject to change without notice. 17 May 2017