

# 24V Residential/Commercial Sliding Gate Drive

## 350T-ONE8BR

TAU S.r.l. 24Vdc Gearmotor Sliding Gate Drive (230Vac powered) with optical encoder, built-in 500K126MA control board, with battery charger.

Suited to Ground Track gates running near level up to 800 kgs and small free rolling Cantilever gates up to 500 kgs.



Technical features	350T-ONE8BR
Power supply (to the control unit)	230 V AC (50 Hz)
Motor power supply	24 V DC
Motor Absorption (no load)	1.05 A
Absorbed power	300 W
Max. operating speed	400mm/sec
Duty cycle	100 %
Max. thrust	980 N
Operating temperature	-20° C - +55° C
Degree of protection	IP 54
Max. gate leaf weight	800 kg
Pinion module	Module 4

- Intensive use - 100% duty cycle when connected to 230Vac power source
- Opening speed - 400 mm/sec
- Low voltage DC Gate Drive
- Optical encoder technology, no limit switches required
- Control board protected within a plastic enclosure
- Practical manual release with personal key




### Controlled by the K126MA *Diamond* series auto-adaptive algorithm Control Board with the following features

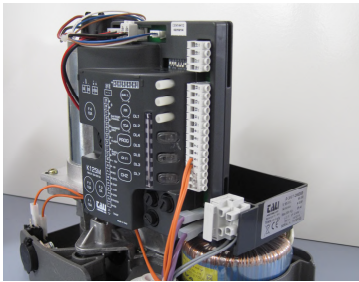
- Built-in 3 channel 433.92 Mhz rolling-code radio receiver
- Built-in battery charger for power outage back-up battery operation
- Electronic obstacle detection and crush prevention. EN 12445-12453 standards
- Soft start and soft stop
- - 8 stage mechanical gate health via tri-colour diagnostic LEDs.
- - 20 point flashing error tri-colour diagnostic LEDs for obstacle detection, motor over current, encoder health, low battery, plus more
- **Off Grid Solar Charge capable** thanks to Photovoltaic (PV) Technology



GATE DRIVE SOLUTIONS LTD.  
Phone 09 419 5483  
[www.gatedrivesolutions.nz](http://www.gatedrivesolutions.nz)

## Additional Product

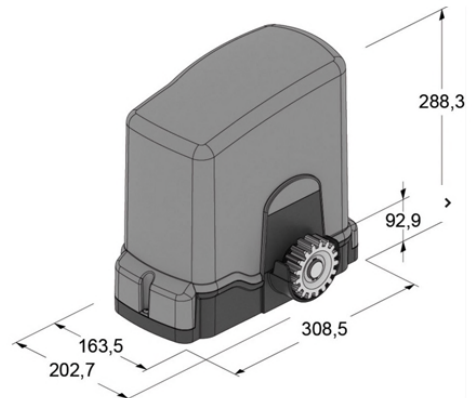
	<b>400CPOR</b> Mounting Plate with U Bolts		<b>550CPMR</b> Adjustable Mounting Plate
	<b>Sliding Gate Nylon Rack</b> Steel core, fibreglass reinforced, 22 x 22mm. 1 metre lengths. (Module 4, Max. weight 800 kg)		<b>Square Steel Sliding Gate Rack</b> Zinc plated, with brackets & screws, 22 x 22mm. 2 metre lengths. (Module 4, Max. weight 3000 kg)
	<b>BS-400</b> Barrier-Curtain Sensor - outdoor 12 m, 30 m sensing range		<b>Cantilever Sliding Gate Back Rail Kit</b> (low rider) for use with 150mmx100mmx5mm Back Rail
	<b>900OPTIC</b> Set of Safety Photocells Beam alignment adjustable up to 15°, 20 to 40 m range		<b>900FOTEC</b> Set of Safety Photocells Beam alignment adjustable up to 5° vertically, 180° horizontally, 10 m range
	<b>ULD911 / ULD913</b> Single Channel 12/24V ac/dc or 230Vac plug-in vehicle inductive Loop Detector with base. N.O. /N.C. relay output.		<b>ULD921 / ULD923</b> Dual Channel 12/24V ac/dc or 230Vac plug-in, vehicle inductive Loop Detector with base. Directional Control Logic capable.



**Protected control board -**  
within a plastic enclosure



**Practical manual release -**  
protected by a personal key



### SAFETY FIRST OF ALL

The EN logo indicates that the Gate Drive has been tested in accordance with EN 12445 / EN 23453 (Safety in use of power operated doors).

**PLEASE NOTE:** The specifications and suggested gate sizes will vary depending upon other variables such as friction of wheels; environmental factors e.g. wind loading, type of cladding and external influences which may assist or degrade the recommended gate sizes.

All automation applications require external safety photocell protection / vehicle loop detector and appropriate warning signs and/or devices.

Imported and marketed in New Zealand by GATE DRIVE SOLUTIONS LTD.

[www.gatedrivesolutions.co.nz](http://www.gatedrivesolutions.co.nz) Phone: 09 419 5483

The Information contained in this document is subject to change without notice. June 2018